

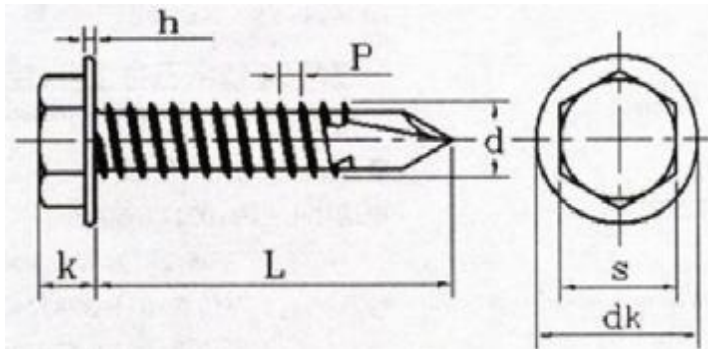


TRANSHOW INDUSTRY LIMITED

GAOYANG RD, ZHOZHAN VILLAGE, JIANGSHAN TOWN
YINZHOU DISTRICT, NINGBO CITY, 315100 CHINA
Tel: +86-574-8736.7873 Fax: +86-574-8736.4349

TRANSHOW www.transhow.net Email: transhow@transhow.net

DIN7504-K Hex Flange Head Self Drilling Screw



| Thread Size d | ST 2.9 | ST 3.5 | ST 3.9 | ST 4.2 | ST 4.8 | ST 5.5 | ST 6.3 |
|---------------|--------|--------|--------|--------|--------|--------|--------|
| p | 1.1 | 1.3 | 1.3 | 1.4 | 1.6 | 1.8 | 1.8 |
| dk-max | 6.3 | 8.3 | 8.3 | 8.8 | 10.5 | 11 | 13.5 |
| dk-min | 5.8 | 7.6 | 7.6 | 8.1 | 9.8 | 10 | 12.2 |
| L | 6.5-25 | 6.5-50 | 9.5-50 | 9.5-75 | 19-100 | 13-125 | 13-150 |
| S-max | 4 | 5.5 | 5.5 | 7 | 8 | 8 | 10 |
| S-min | 3.82 | 5.32 | 5.32 | 6.78 | 7.78 | 7.78 | 9.78 |
| k-max | 2.8 | 3.4 | 3.4 | 4.1 | 4.3 | 5.4 | 5.9 |
| k-min | 2.5 | 3 | 3 | 7 | 8 | 8 | 10 |

Regular Production Specifications & 1,000 pcs weight

| | | | | | |
|--------|------|--------|-------|--------|-------|
| 4.2x25 | 2.20 | 5.5x19 | 3.90 | 6.3x19 | 5.91 |
| 4.2x32 | 2.91 | 5.5x25 | 4.45 | 6.3x25 | 6.87 |
| 4.2x38 | 3.31 | 5.5x32 | 5.00 | 6.3x32 | 7.99 |
| 4.8x13 | 2.02 | 5.5x38 | 7.10 | 6.5x38 | 8.96 |
| 4.8x16 | 2.32 | 5.5x45 | 7.93 | 6.5x45 | 10.10 |
| 4.8x19 | 2.61 | 5.5x50 | 8.77 | 6.5x50 | 10.88 |
| 4.8x25 | 3.19 | 5.5x65 | 9.20 | 6.5x65 | 13.20 |
| 4.8x32 | 3.88 | 5.5x75 | 10.39 | 6.5x75 | 14.89 |
| 4.8x38 | 4.46 | | | | |
| 4.8x45 | 5.16 | | | | |
| 4.8x50 | 6.66 | | | | |